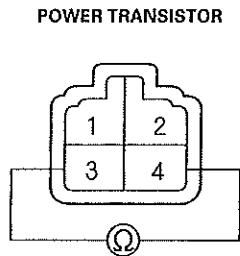
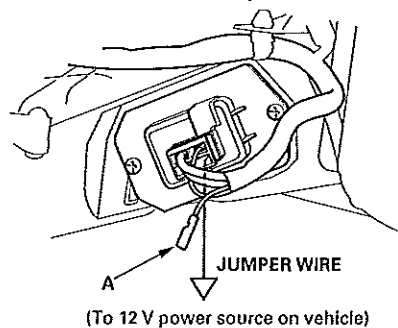


## Power Transistor Test

1. Remove the passenger's dashboard lower cover (see page 20-58).
2. Disconnect the 4P connector from the power transistor.
3. Measure the resistance between the No. 3 and No. 4 terminals of the power transistor. It should be about 1.4–1.5 k $\Omega$ .
  - If the resistance is within the specifications, go to step 4.
  - If the resistance is not within the specifications, replace the power transistor.



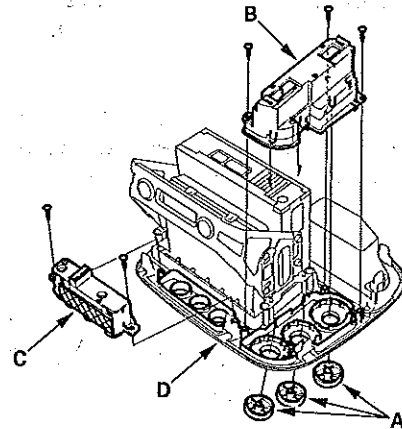
4. Carefully release the lock tab on the No. 1 terminal (BLU/YEL) (A) in the 4P connector, then remove the terminal and insulate it from body ground.



5. Reconnect the 4P connector to the power transistor.
6. Supply 12 volts to the No. 1 cavity with a jumper wire.
7. Turn the ignition switch ON (II), and check that the blower motor runs.
  - If the blower motor does not run, replace the power transistor.
  - If the blower motor runs, the power transistor is OK.

## Climate Control Unit Removal and Installation

1. Remove the center panel (see page 20-61).
2. Remove the dials (A), then remove the self-tapping screws, the climate control unit (B), and the push switch assembly (C) from the center panel (D).



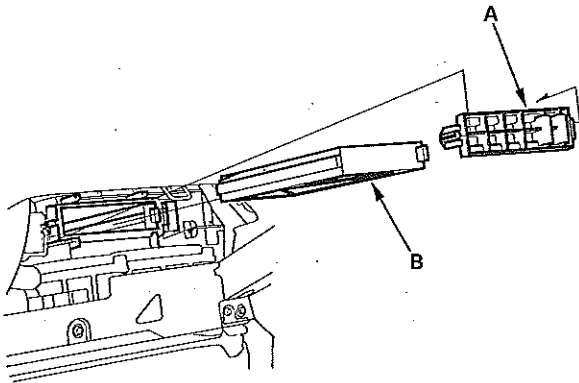
3. Install the control unit in the reverse order of removal. After installation, operate the control unit and the push switch controls to see if they work properly.
4. Run the self-diagnosis function to confirm that there are no problems in the system (see page 21-8).

# Climate Control

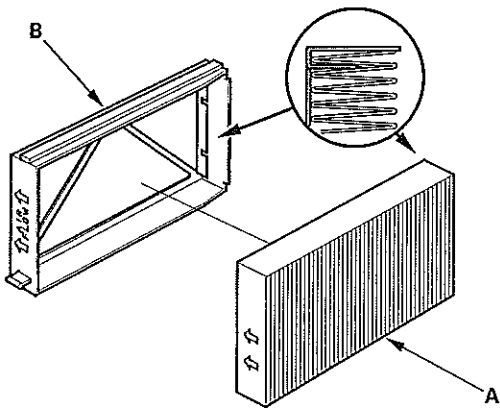
## Dust and Pollen Filter Replacement

The dust and pollen filters should be replaced every 30,000 miles (48,000 km) or 24 months, whichever comes first. Replace the filters more often if the airflow is less than usual, or if the vehicle is driven in areas that have high concentrations of soot from industry or diesel powered vehicles.

1. Open the glove box. Remove the glove box stops from each side, then let the glove box hang down (see page 20-62).
2. Remove the filter lid (A) from the blower unit, then pull out the first dust and pollen filter (B). Slide the second filter to the left, and pull it out.



3. Remove the filter (A) from the housing (B), and replace the filter.



4. Install the filters in the reverse order of removal.